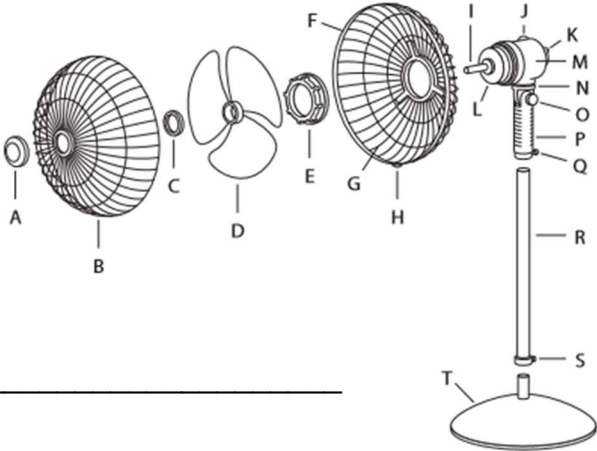


**Apprenticeship Math 12**  
**ASSIGNMENT: Exploded View Diagrams**

Name: \_\_\_\_\_

Date: \_\_\_\_\_

1. Identify the item shown in the exploded view diagram.



What names would you give to parts B, D, M, and T?

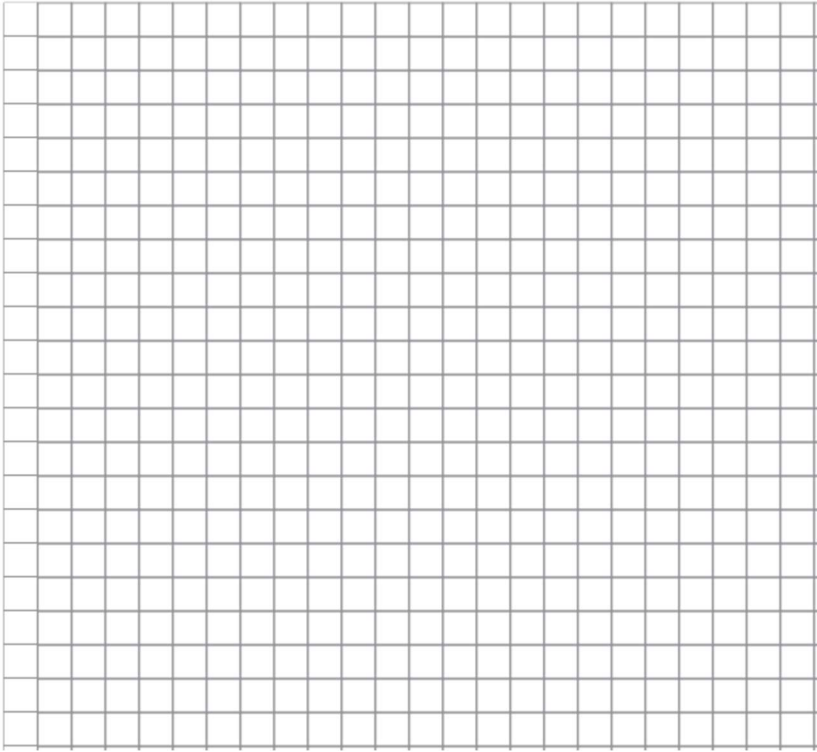
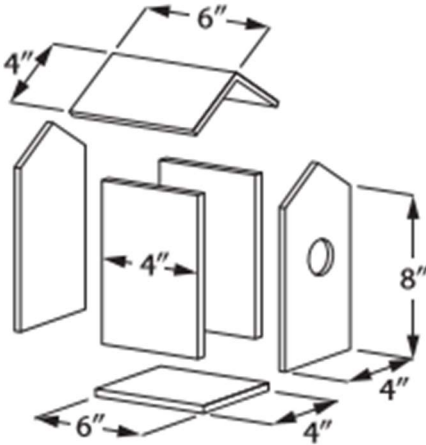
B - \_\_\_\_\_

D - \_\_\_\_\_

M - \_\_\_\_\_

T - \_\_\_\_\_

2. The exploded view diagram shows a birdhouse. On grid paper, sketch the top view, front view and the side view of the birdhouse.



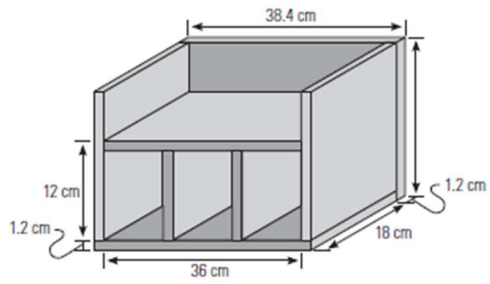
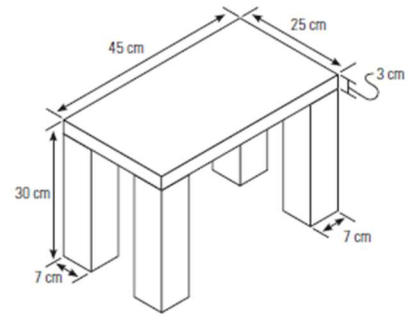
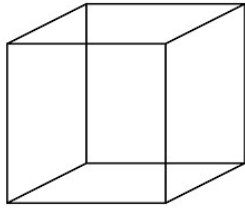
3. a) List the parts and quantities of each part that make up the chair pictured.



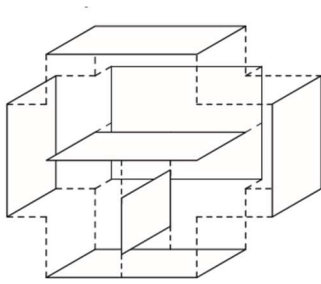
b) Write the sequence of steps for assembling the chair.

c) Draw an exploded view diagram of the assembly of the chair.

4. Sketch exploded view diagrams of the following objects. Ignore the dimensions.



5. Given the exploded view below, sketch what the object would look like.



6. Create and label an exploded view diagram of a double cheeseburger. Include at least 3 additional condiments/toppings of your choice.