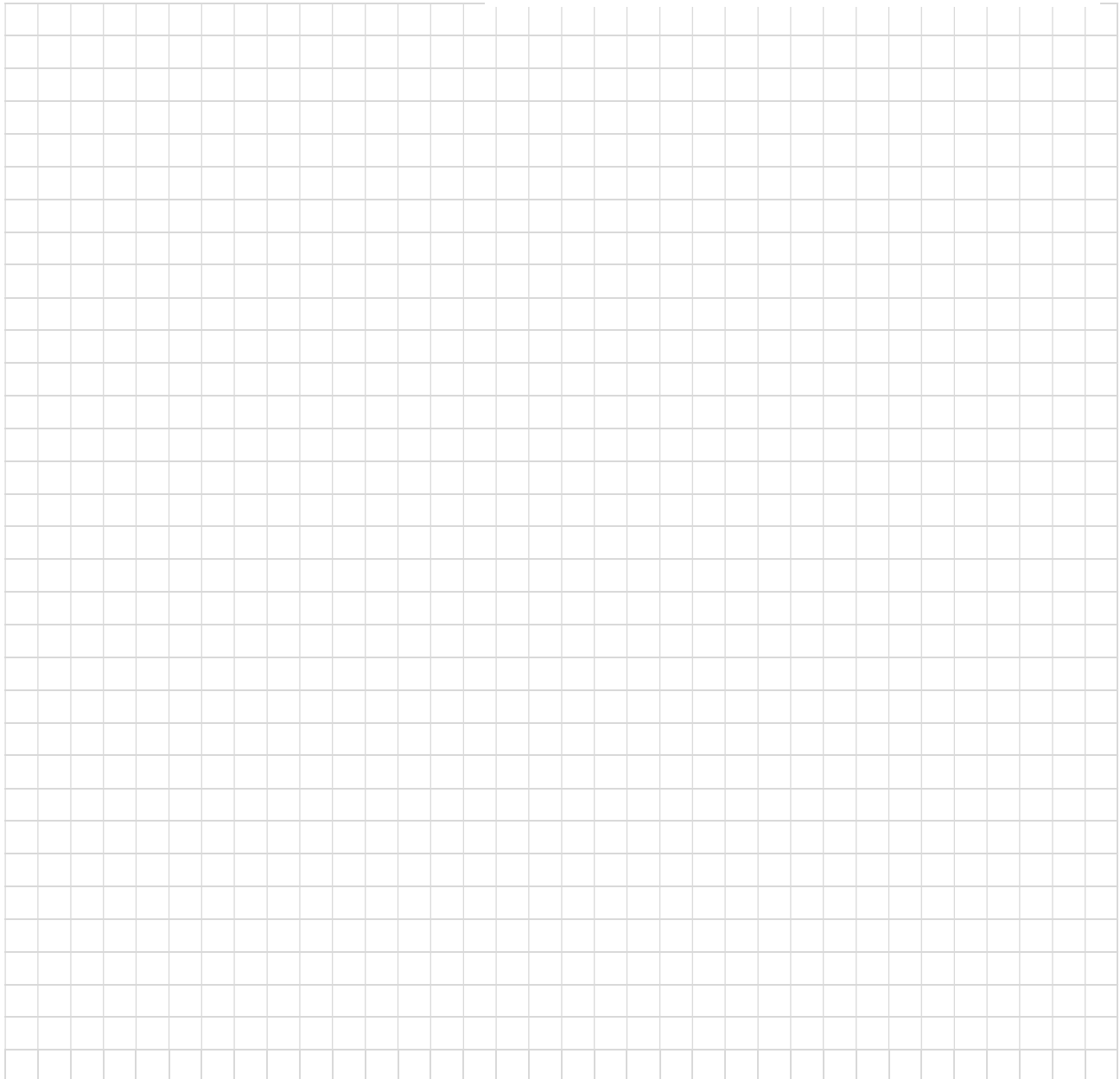
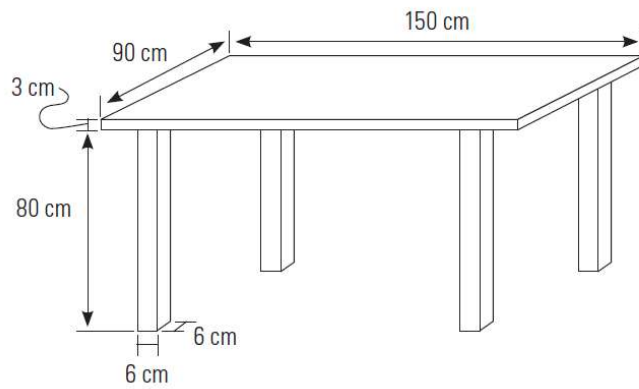




2. Draw a component parts diagram for this kitchen table at a scale of 1:12

Show how you calculated your diagram measurements.



3. Jasper wants to estimate the amount of materials needed to build the feed bin shown in the diagram.

Draw a component parts diagram for the bin at a scale of 1:20. You can ignore the thickness of the wood.

Show how you calculated your diagram measurements.

